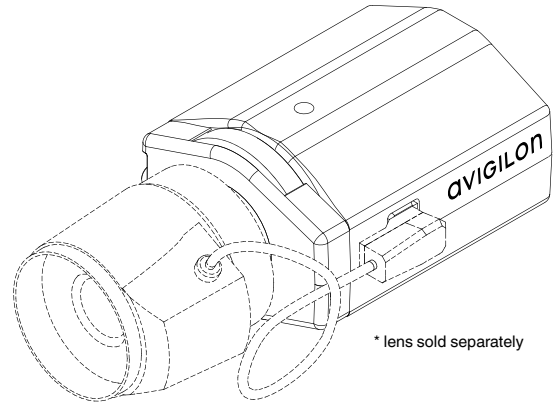


5.0 Megapixel Day/Night High Definition IP Camera



Description

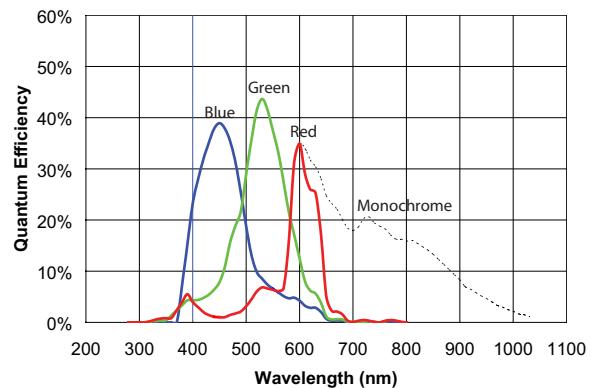
The Avigilon 5.0 megapixel day/night high definition IP camera is a progressive scan CMOS camera designed for a wide range of surveillance applications. It transmits images over 100BASE-TX using advanced JPEG2000 progressive compression technology to achieve the lowest network bandwidth and most efficient image storage in the industry while maintaining unsurpassed image quality.

The camera's advanced image acquisition system automatically adjusts the exposure time, the iris and the removable IR cut filter to ensure all available evidence is captured throughout the full range of day and nighttime scenes. The camera supports C or CS mount lenses and DC-drive auto irises.

The camera seamlessly integrates with Avigilon Control Center NVMS and High Definition NVRs using standard network equipment creating a network based surveillance solution with unmatched performance, ease of use, and ease of installation. Camera power is provided by either Power over Ethernet, 12 VDC, or 24 VAC.

Features

- 5.0 megapixel progressive scan CMOS sensor
- Unsurpassed image quality
- 12 images per second at full resolution and 30 images per second at 1920 x 1080
- 70 dB true dynamic range
- 0.3 lux minimum illumination in color mode and 0.03 lux minimum illumination in monochrome mode
- Lossless JPEG2000 compression
- 1/2.5" optical format
- Automatic exposure control and DC-drive auto iris control
- Automatic removable IR cut filter for IR sensitivity at night
- Compatible with C and CS mount lenses
- Adjustable lens back focus
- Power over Ethernet, 24 VAC or 12 VDC power input
- External I/O and RS-485 interface



Specifications

Camera

| | |
|----------------------------|---|
| Image Sensor | 1/2.5" progressive scan CMOS |
| Active Pixels | 2592 (H) x 1944 (V) |
| Imaging Area | 5.7 mm (H) x 4.3 mm (V) 0.225" (H) x 0.169" (V) |
| Minimum Illumination | 0.3 lux (at F1.4) in color mode 0.03 lux (F1.4) in monochrome mode |
| Dynamic Range | 70 dB |
| Lens Mount | CS |
| Image Compression Method | JPEG2000 |
| Image Rate | 12 (at full resolution) 30 (at 1920 x 1080) |
| Resolution Windowing | Down to 640 x 480 Window |
| Motion Detection | Selectable sensitivity and threshold |
| Electronic Shutter Control | Automatic, Manual (2 to 1/30000 sec) |
| Iris Control | Automatic, Manual |
| Day/Night Control | Automatic, Manual |
| Flicker Control | 50 Hz, 60 Hz |
| White Balance | Automatic, Manual |
| Backlight Compensation | Automatic |
| Privacy Zones | Up to 4 zones |
| External I/O Terminals | Alarm In, Alarm Out, RS-485 |

Network

| | |
|--------------|--------------------------------|
| Network | 100BASE-TX |
| Cabling Type | CAT5 |
| Connector | RJ-45 |
| Security | SSL |
| Protocol | UDP, TCP, SOAP, DHCP, Zeroconf |

Mechanical

| | |
|--------------------|---|
| Dimensions (LxWxH) | 85 mm x 67 mm x 53 mm 3.3" x 2.6" x 2.1" |
| Weight | 0.53 kg (1.2 lbs) without lens |
| Camera Mount | 1/4" UNC-20 (top and bottom) |

Electrical

| | |
|-------------------|---|
| Power Source | VDC: 12-24 V VAC: 24 V PoE: IEEE802.3af Class 3 compliant |
| Power Consumption | 6 W |
| Power Connector | 2-pin terminal block |

Environmental

| | |
|-----------------------|---|
| Operating Temperature | -10 °C to +50 °C (14 °F to 122 °F) |
| Storage Temperature | -10 °C to +70 °C (14 °F to 158 °F) |
| Humidity | 20 - 80% Relative humidity (non-condensing) |

Certifications

CE, Class A
FCC, Class A
UL/cUL Listed

Ordering Information

| | |
|-------------|---|
| 5.0MP-HD-DN | 5.0 Megapixel Day/Night High Definition IP Camera |
|-------------|---|

Outline Dimensions

