

EVERTECH ET-8C500GPRSXL/8C800XLGPRS is a LAN (TCP/IP) and 4G/GPRS type microprocessor resident remote alarm processing unit provides 16/64 supervised alarm input circuits and 16/64 programmable alarm output circuits which can be use in small to large systems, 1024 units of remote alarm processing unit can be addressed by the MEGAsys ISMS system.

The remote alarm processing unit can be mounted near security alarm sensors at central control location, requiring simple single cable from each alarm sensor to the remote alarm processing unit, providing full alarm reporting, sensor status monitoring and programmable alarm output control functions from the MEGAsys ISMS system. These units can be used individually, or interconnected to configure an alarm network of 16/64 to 16,384 alarm input points, supervised inputs are provided for N.C. alarm contacts for each alarm inputs. The unit requires a LAN type Cat5 (RJ45) shield data cable which connected to each remote alarm processing unit from the PC network.

The 4/64 programmable alarm output control circuits which provides a open collector output (DC50V500mA), output can be used to drives alarm buzzer, audio switching, bell or relay to control low voltage device or display devices. All output points can be individual program and control by the MEGAsys ISMS System computer when alarm activated and received by the MEGAsys ISMS and macro alarm output program activated.



### Applications

- LCD Message Alarm/LED communication status/LAN Status display (Chinese alarm message display 80x50mm)
- DC 12V power supply for alarm sensor
- Programmable 24/12 hour Secure/Access mode circuit, Exit delay zone
- Programmable night circuit
- Key switch input, Access Reader or PIN for system on / off control, Support remote control keypad and control reader, MEGAsys remote monitoring and control
- 16/64 zone programmable alarm output
- 16/64 zone supervised Alarm inputs, Fault zone override and bypass

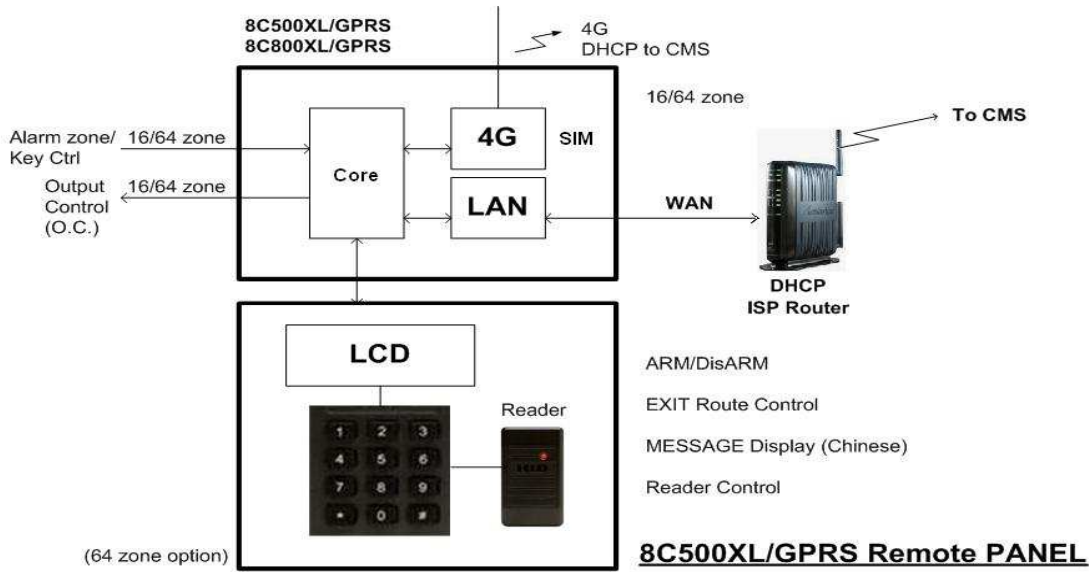
### ET-8C800XL / 8C500

✘	-
✘	✘
✘	-
✘	-
✘	-
✘	✘
✘	✘

### Specifications

Component Characteristics		Communication Specifications	
Communication Ports:	One(RJ45)/4GSIM (Redundant or Dual Port)	Protocol: (DHCP IP, Auto Connect) (CRC16/MD5 option)	TCP/IP UDP
Alarm Input Zone (Programmable)	24/12 hour	Day/Night Zone	All input
	Delay Exit Route	15/180	Second
	PIN/keypad alarm On / Off	Data Cable: 4 Twisted pair, 24 AWG, shield (Second Keyboard and Control Reader) 8C800 Only	Belden 8723 (100m)
Alarm Output Circuit	Programmable 3/64 Zones		
Mechanical Specification	Height:	400mm/220mm	<b>Electrical Specifications</b>
	Width:	300mm/180mm	Input Voltage: (Switching Power)
	Depth:	80mm/60mm	Fuse:(Slow Blow)
			AC220V 1.2A

**Configure:**



**Integrated:** with **MEGAsys** ISMS System: (Please refer to the MEGAsys v5.0 for details, it can integrated with IP CCTV/Access Control).



**Network Technical Specifications:**

3G: UMTS/WCDMA/HSDPA/HSPA+/TD-SCDMA/CDMA2000 EVDO

4G: TDD-LTE/FDD-LTE, CDMA2000 EVDO, clamshell SIM card pedestal, Support 3V/1.8V SIM, GSM/GPRS/EDGE 900/1800 MHz, CDMA2000 1x/EVDO BC0

**Frequency:**

TDD-LTE B38/B39/B40/B41

FDD-LTE B1/B3/B8

UMTS/HSDPA/HSPA+ B1/B8

TD-SCDMA B34/B39

CDMA2000 1x/EVDO BC0 GSM/GPRS/EDGE 900/1800 MHz

**Communication:**

Adjustable baud rate on data interface

Support hard flow control on serial interface

Support standard TCP/IP protocol with both TCP and UDP

Adjustable heart-beat interval and time-out value

Support always online

Support SMS and ringing tone wakeup (wakeup online)

Support Address-IMEI Mapping to save wireless bandwidth

**Stability:**

Host CPU: 32-bit ARM processor

Built-in soft/hard watch dog

Built-in TCP/IP protocol stack

**Data Center:**

Support domain name

Compatible with various data center software

It uses industrial components and can be used in adverse environment; It can work within -40°C~+85°C temperature range.

**Technical Advantages:**

Built-in industry-level 4G module with data transfer more stable and efficient

Fully supports Smartone, CSL, HKT, China Mobile, China Unicom and China Telecom's 2G/3G/4G networks;

Support connecting to 4 data centers at the same time

Support sending SMS

Support 4G and SMS as backup

Support modifying DTU configurations via SMS

Support modifying DTU configurations remotely at server side

Support querying SIM card number remotely, checking SIM card balance and traffic within DTU

Support device remote re-boot

Support APN name auto-adoption

Support LBS location